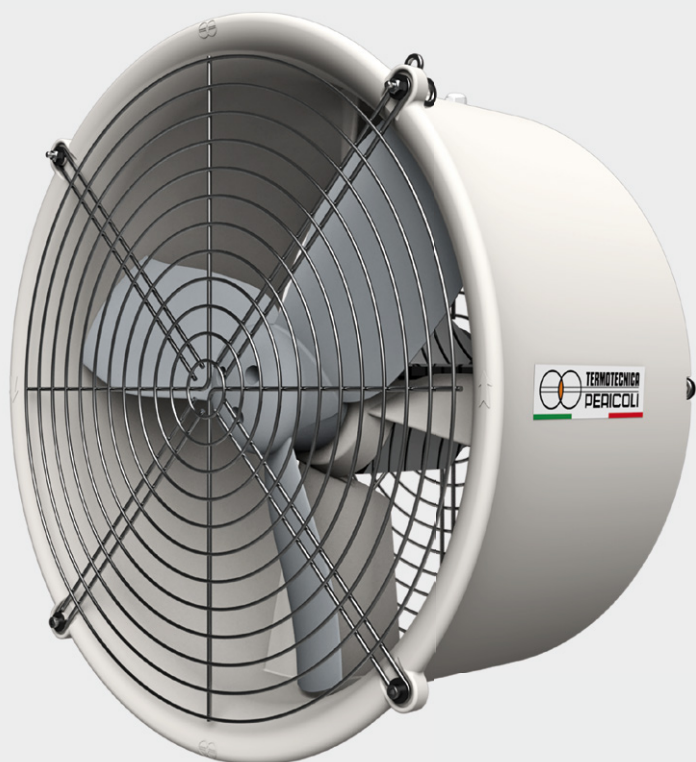


VENTILATION

ACF 21 *P*



since
1967



FAN IN PLASTIC IT'S FANTASTIC

ACF 21_P



ACF 21_P is the ideal product whenever air displacement is required. It is available in 21" only with both body and propeller in plastic. The safety nets are in galvanized steel for maximum corrosion resistance. It was designed to ensure high energy efficiency and excellent versatility. This product is developed in our PERIlab and certified by BessLab.

Technical features, dimensions and loading possibilities

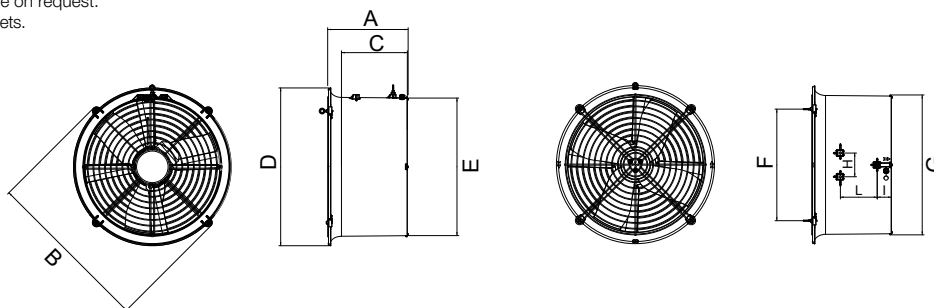
ACF 21_P - AMCA 230-15 test number Bess Lab: c22334; c22330; c22336; c22335; c22339; 22340

Model	Diameter Ø	Voltage**	Frequency	Thrust	Propeller speed rotation	Power consumption	Thrust efficiency ratio	Air flow	Air flow*	Specific power input	Efficacy
ACF 21 _P 5000	20 inch 508 mm	Δ 220-240 V Y 380-420 V	50 Hz	2,43 lbf	966 RPM	157 W	15,5 lbf/kW	4.978 m³/h	7.040 m³/h	32	18,7
				1,10 kgf				2.930 ccfm	4.144 ccfm		
		Δ 220-270 V Y 380-460 V	60 Hz	2,55 lbf	1155 RPM	139 W	18,4 lbf/kW	5.097 m³/h	7.208 m³/h	27	21,6
				1,16 kgf				3.000 ccfm	4.243 ccfm		
ACF 21 _P 6300	20 inch 508 mm	Δ 220-240 V Y 380-420 V	50 Hz	3,94 lbf	1448 RPM	246 W	16 lbf/kW	6.337 m³/h	8.962 m³/h	39	15,2
				1,79 kgf				3.730 ccfm	5.275 ccfm		
		Δ 220-270 V Y 380-460 V	60 Hz	3 lbf	1126 RPM	187 W	16,4 lbf/kW	5.590 m³/h	7.905 m³/h	33	17,6
				1,36 kgf				3.290 ccfm	4.653 ccfm		
ACF 21 _P 7400	20 inch 508 mm	Δ 220-240 V Y 380-420 V	50 Hz	5 lbf	1426 RPM	441 W	11,3 lbf/kW	7.170 m³/h	10.140 m³/h	62	9,6
				2,27 kgf				4.220 ccfm	5.968 ccfm		
		Δ 220-270 V Y 380-460 V	60 Hz	5,39 lbf	1691 RPM	364 W	14,8 lbf/kW	7.442 m³/h	10.524 m³/h	49	12
				2,44 kgf				4.380 ccfm	6.194 ccfm		

*Using ANSI/AMCA Standard 230-99 method.

**Single phase motor available on request.

Note: tested with two safety nets.



Dimensions ACF 21_P

Dimension - A - [mm]	Dimension - B - [mm]	Dimension - C - [mm]	Dimension - D - [mm] Ø	Dimension - E - [mm] Ø	Dimension - F - [mm]	Dimension - G - [mm]	Dimension - H - [mm]	Dimension - I - [mm]	Dimension - L - [mm]	Noise at 7m dB (A)	Net weight [kg]	Gross weight [kg]	Dimension carton box (LxWxH) [mm]
306	632	251	600	523	424	532	90	54	140	50-64	12	14	610x610x320

Loading possibilities on pallet

ACF 21 _P	
Fully assembled version (FA)	
LxWxH [mm]	1220x1220x2050
N° pieces	24
Gross weight - kg	350

Loading possibilities

Fully assembled version (FA)	
Model	ACF 21 _P
Container 20ft	225
Container 40ft	467
Container 40ft HC	544
Truck	616

All data in this catalogue are indicative and are subject to change without prior notice.